



ES-5050 / ES5050TE

Parts Manual

Phase 8

American Dryer Corporation
88 Currant Road
Fall River MA 02720-4781 USA
Telephone: +1 (508) 678-9000 / Fax: +1 (508) 678-9447
e-mail: techsupport@amdry.com

www.adclaundry.com

Retain This Manual In A Safe Place For Future Reference

American Dryer Corporation products embody advanced concepts in engineering, design, and safety. If this product is properly maintained, it will provide many years of safe, efficient, and trouble free operation.

ONLY qualified technicians should service this equipment.

OBSERVE ALL SAFETY PRECAUTIONS displayed on the equipment or specified in the installation manual included with the dryer.

The following “**FOR YOUR SAFETY**” caution must be posted near the dryer in a prominent location.

FOR YOUR SAFETY

Do not store or use gasoline or other flammable vapors and liquids in the vicinity of this or any other appliance.

POUR VOTRE SÉCURITÉ

Ne pas entreposer ni utiliser d'essence ni d'autres vapeurs ou liquides inflammables à proximité de cet appareil ou de tout autre appareil.

We have tried to make this manual as complete as possible and hope you will find it useful. ADC reserves the right to make changes from time to time, without notice or obligation, in prices, specifications, colors, and material, and to change or discontinue models.

Important

For your convenience, log the following information:

DATE OF PURCHASE _____ **MODEL NO.** _____

RESELLER'S NAME _____

Serial Number(s) _____

Replacement parts can be obtained from your reseller or the ADC factory. When ordering replacement parts from the factory, you can FAX your order to ADC at (508) 678-9447 or telephone your order directly to the ADC Parts Department at (508) 678-9000. Please specify the dryer model number and serial number in addition to the description and part number, so that your order is processed accurately and promptly.

The illustrations on the following pages may not depict your particular dryer exactly. The illustrations are a composite of the various dryer models. Be sure to check the descriptions of the parts thoroughly before ordering.

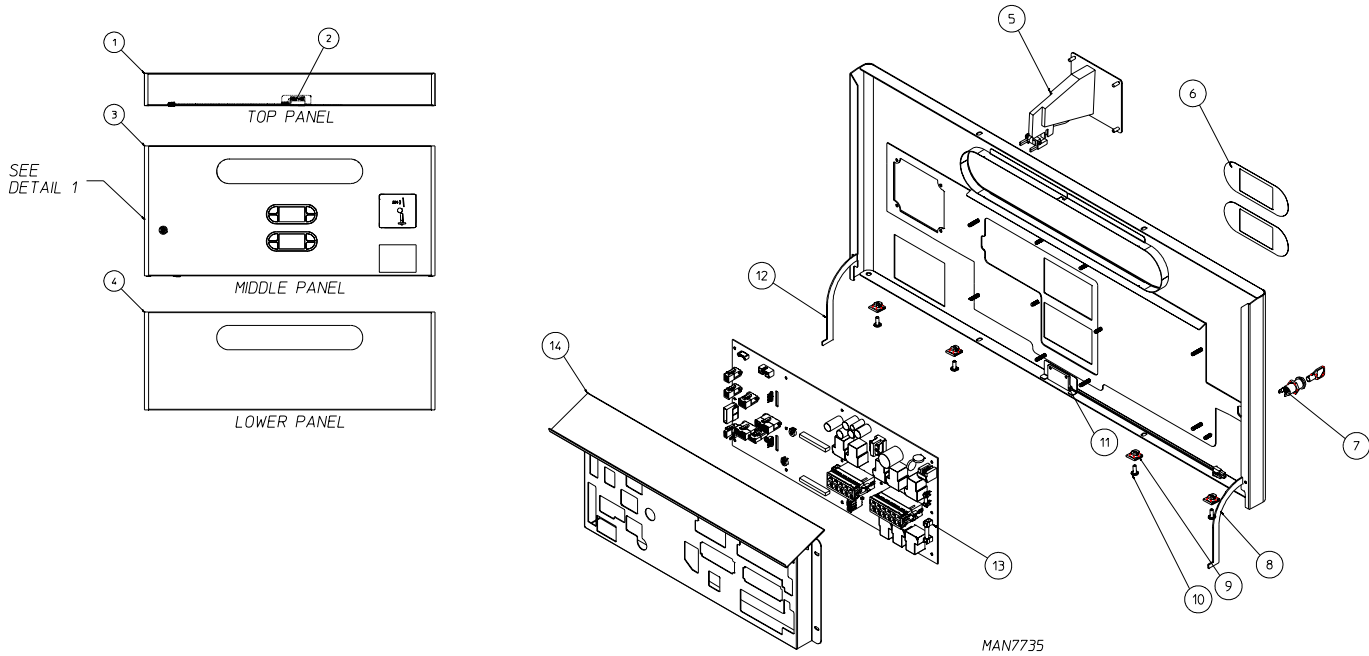
“IMPORTANT NOTE TO PURCHASER”

Information must be obtained from your local gas supplier on the instructions to be followed if the user smells gas. These instructions must be posted in a prominent location near the dryer.

Table of Contents

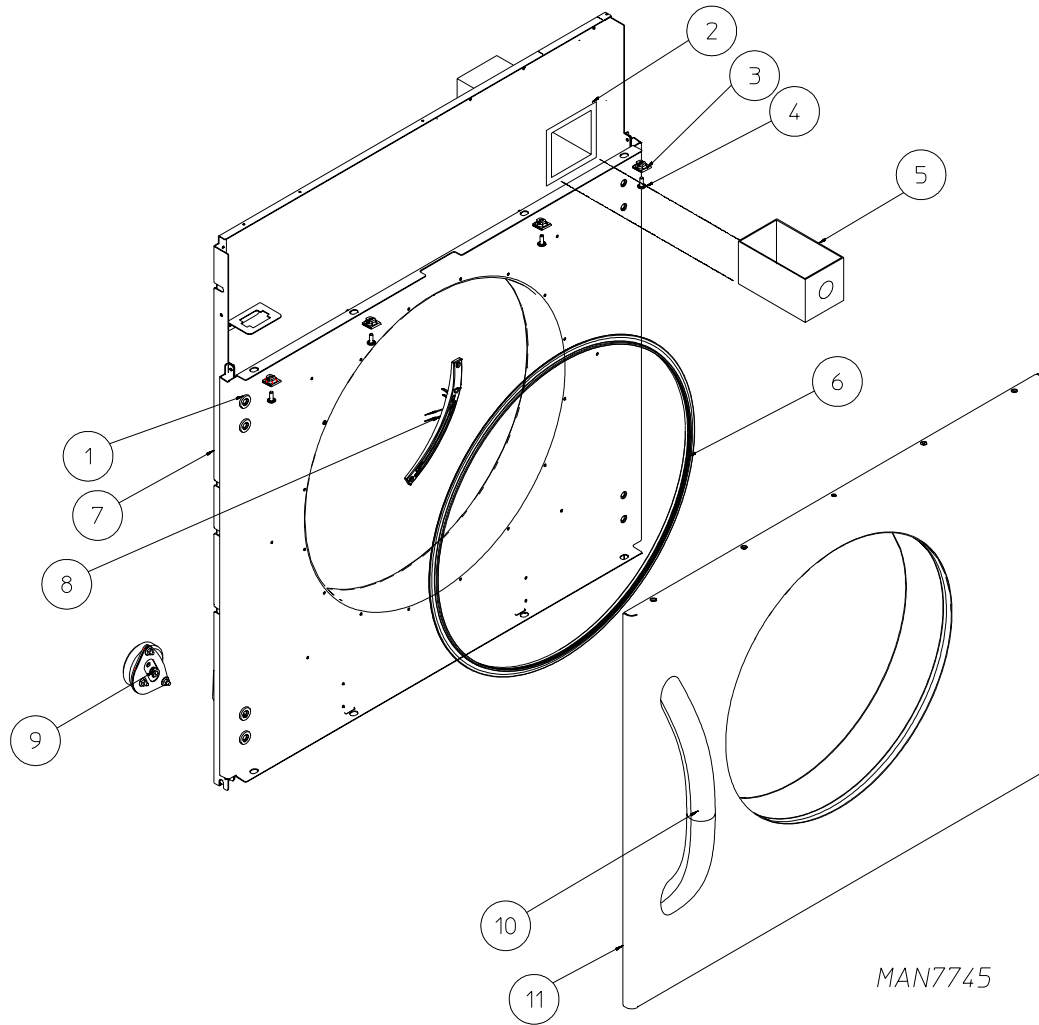
Trim / Control Panels	4
Front Panel / Door Assembly	5
Lint Box / Screen Assembly	6
ES5050 Blower Housing	7
ES5050TE Blower Housing	8
Basket Assembly	9
ES5050 Rear Dryer Panel	10
ES5050TE Rear Dryer Panel	11
Motor Assembly	12
Gas Train Assembly	13
Wheel Bracket Assembly	14
S.A.F.E. System Assembly	15

Trim / Control Panels



Illus. No.	Part No.	Qty.	Description
1	815313*	1	Top Trim Panel Assembly ES5050
	815320	1	Top Trim Panel Assembly (Stainless Steel) ES5050
	815388	1	Top Trim Panel Assembly ES5050TE
2	819196	1	Door Switch Assembly
3	815329*	1	Phase 8 Control Door
	815328*	1	Phase 8 Control Door Assembly (25¢ Coin) (includes illus. nos. 3 and 5 through 14)
4	815264*	1	Toe Panel ES5050
	815321	1	Toe Panel (Stainless Steel) ES5050
	815356	1	Toe Panel ES5050TE
5	818213	1	Coin Acceptor Assembly (25¢ Coin)
	819807	1	Optic Switch Assembly
6	112587	2	Keypad (Coin)
7	160071	1	Key Lock Switch
8	315627	1	Control Panel Left Hinge
9	154059	8	U-Nut Retainer
10	154364	8	#10-16 x 1/2" Phillips Truss Head Screw
11	819196	1	Door Switch Assembly
12	315626	1	Control Panel Right Hinge
13	887102	1	Phase 8 Computer
	887103	1	Phase 8 Computer with "S.A.F.E." System Option
	136116	1	3-amp "Glass" Fuse
	136056	2	20-amp "Ceramic" Fuse
14	315532	1	Phase 8 Control Cover

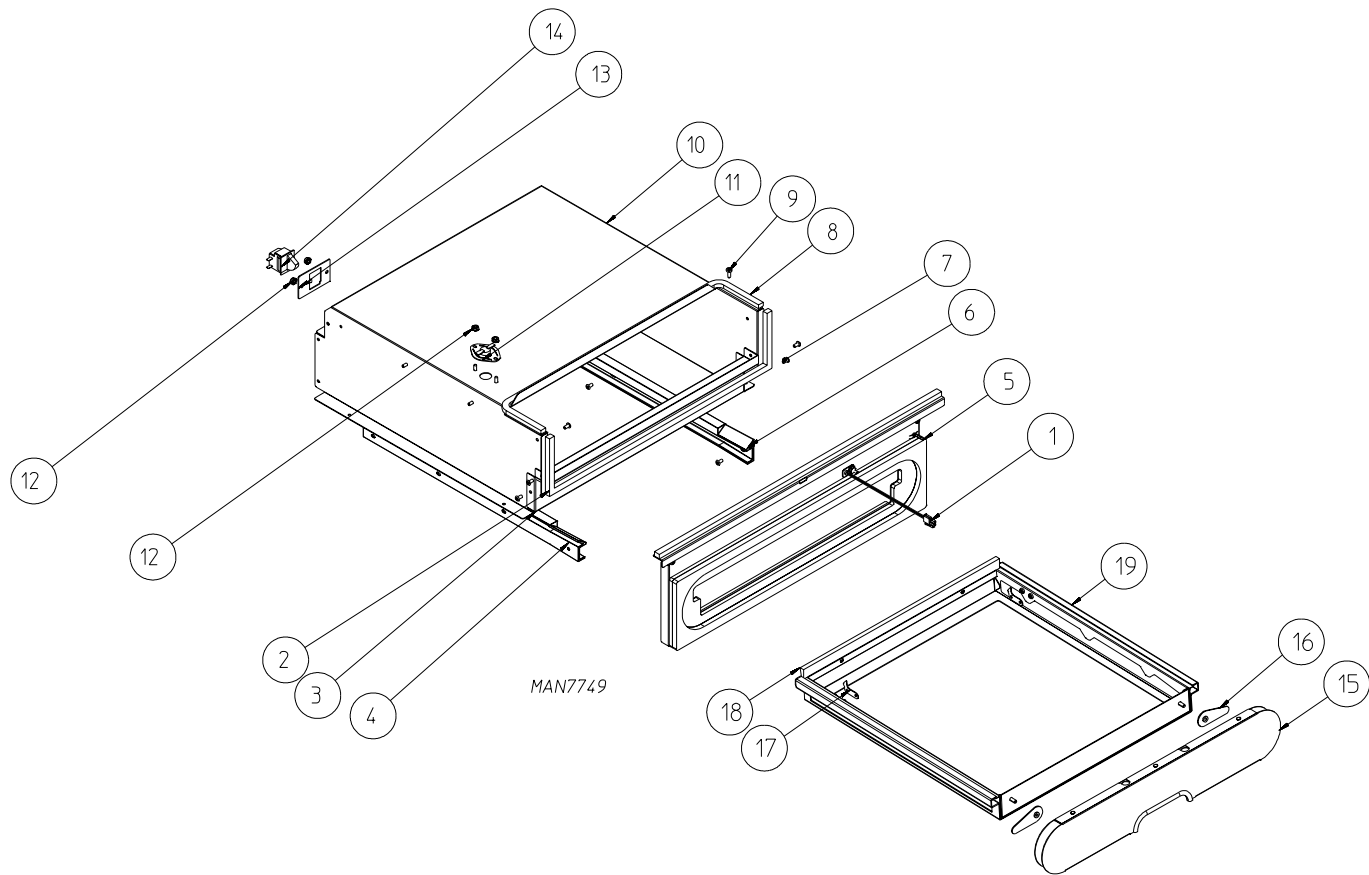
* Specify color when ordering.



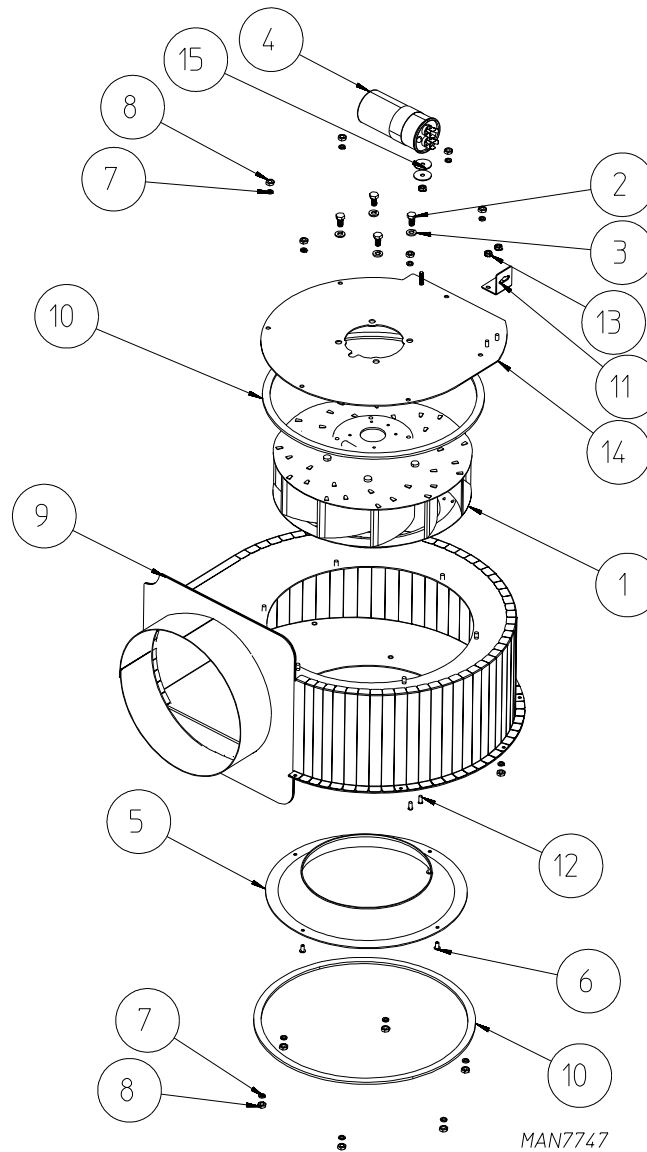
Illus. No.	Part No.	Qty.	Description
1	102004	2	Door Magnet
	102005	2	Door Magnet Blank
	152223	4	T-20 Screw for Door Magnet
2	851339	1	Coin Vault Assembly
3	154059	4	Tinnerman U-Nut Retainer
4	154364	4	#10-16 x 1/2" Phillips Truss Head Screw
5	125916	1	Coin Box
6	102397	1	Door Gasket
7	884394	1	Front Panel Assembly without R.M.C. Sensor ES5050
	884395	1	Front Support Panel Assembly with R.M.C. Sensor ES5050
	815379	1	Front Support Panel Assembly without R.M.C. Sensor ES5050TE
8	884397	1	Residual Moisture Control Sensor
9	815280	2	Front Wheel Assembly
			(refer to Wheel Bracket Assembly on page 14)
10	819838	1	White Door Handle
11	815277*	1	Door Assembly Hinge Right CRS
	815319	1	Door Assembly Hinge Right Stainless Steel
	816222*	1	Door Assembly Hinge Right CRS with Clean View Media Screen
	816229	1	Door Assembly Hinge Right Stainless Steel with Clean View Media Screen

* Specify color when ordering.

Lint Box / Screen Assembly

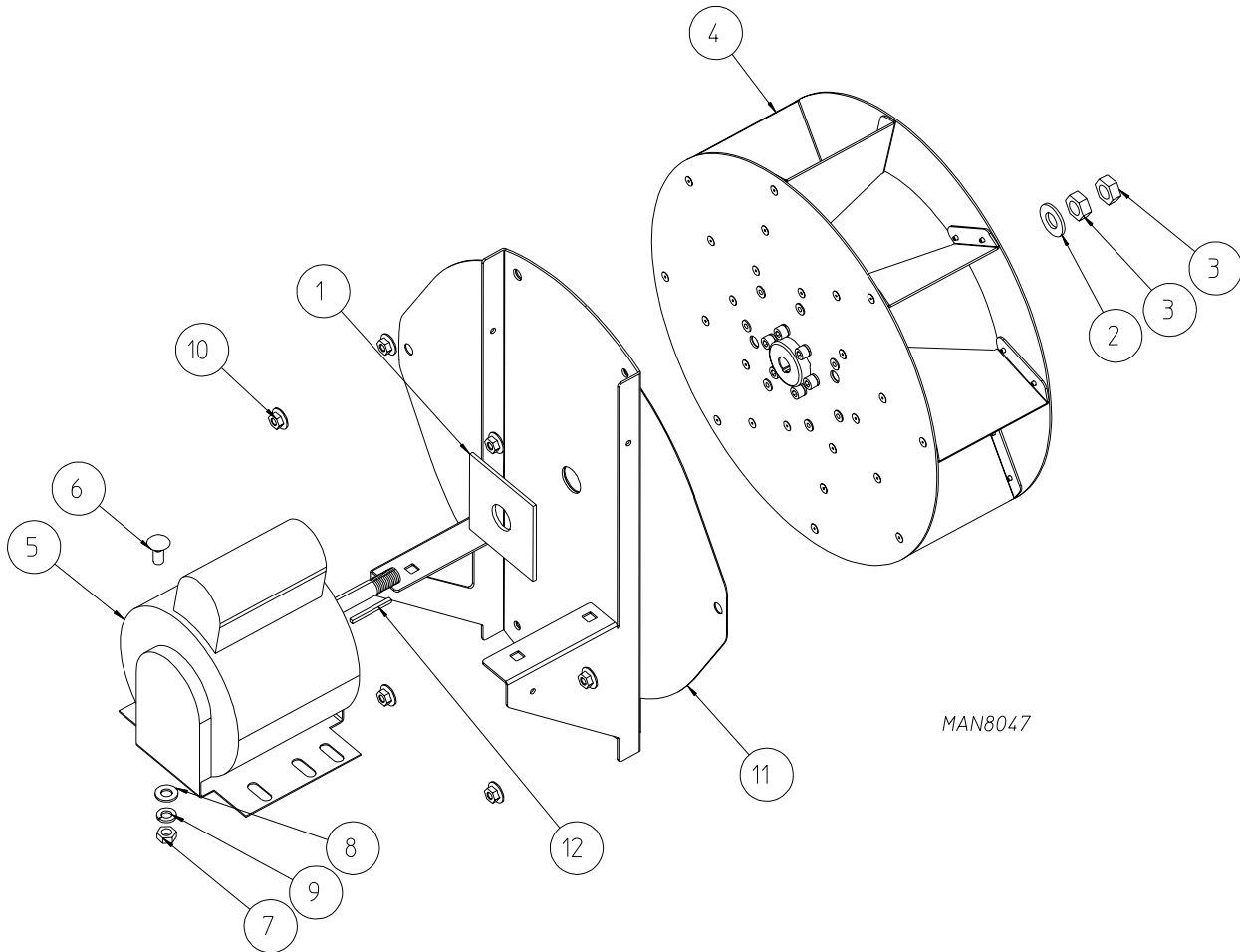


Illus. No.	Part No.	Qty.	Description
1	836028	1	Exhaust Temperature Probe Assembly
2	117617	4	3/8" by 5/16" Semiclosed Cell Foam
3	315573	1	Lower Lint Box Front ES5050
	315651	1	Lower Lint Box Front ES5050TE
4	185216	1	Molded Lint Rail Left
5	815324	1	Upper Lint Box Front Assembly ES5050
	815378	1	Upper Lint Box Front Assembly ES5050TE
6	185214	1	Molded Lint Rail Right ES5050
	815214	1	Molded Lint Rail Right ES5050TE
7	154200	26	5/32" Pop Rivet
8	117607	1	1/4" x 3/8" Poron Foam for ES5050
	117616	1	1/4" x 3/8" Poron Foam for ES5050TE
9	150331	14	#8-18 x 1/2" Pan Head Torx Screw
10	815274	1	Lint Box Front and Clinch Stud Assembly ES5050
	815377	1	Lint Box Front and Clinch Stud Assembly ES5050TE
11	130119	1	L190 Auto Reset Thermostat
12	153073	4	#8-32 Keps Nut
13	315590	1	Lint Drawer Switch Bracket
14	122002	1	Door Switch
15	851537	1	Lint Drawer Handle
16	851536	2	Lint Drawer Fastening Plate
17	185423	2	Lint Drawer Stopper
18	170237	1	Lint Drawer Brush
19	815276	1	Lint Drawer Assembly

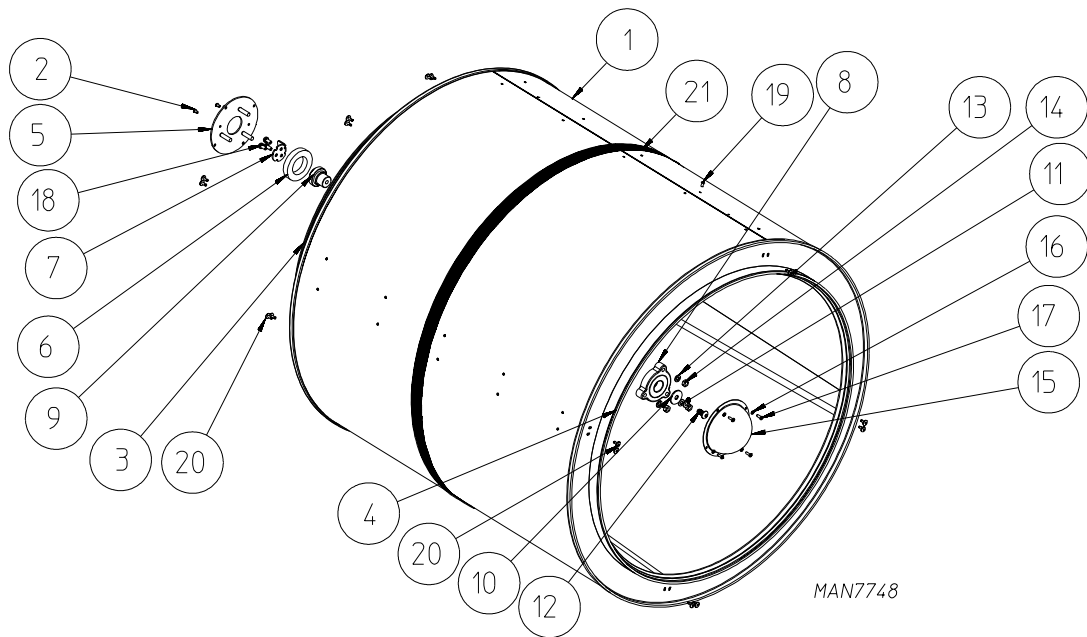


Illus. No.	Part No.	Qty.	Description
1	100674	1	115V Motorized Impellor 50/60 Hz
2	150691	4	6m x 12mm Hex Head Cap Screw
3	153007	4	1/4 Split Lock Washer
4	100683	1	20 Mfd Capacitor
5	100647	1	Inlet Ring
6	154200	4	5/32 Pop Rivet
7	153024	14	#10 Split Lock Washer
8	152008	14	10-32 Hex Nut
9	815299	1	Blower Housing Weldment
10	117604	2	0.125 by 0.375 Neo Sponge Tape
11	185431	1	Lint box Wire Bracket
12	153564	2	8-32 x 3/8" Clinch Stud
13	153073	3	8-32 Keps Nut
14	815317	1	Impellor Mounting Plate
15	153049	2	0.203 I.D. x 0.875 O.D. x 0.040 Washer

ES5050TE Blower Housing

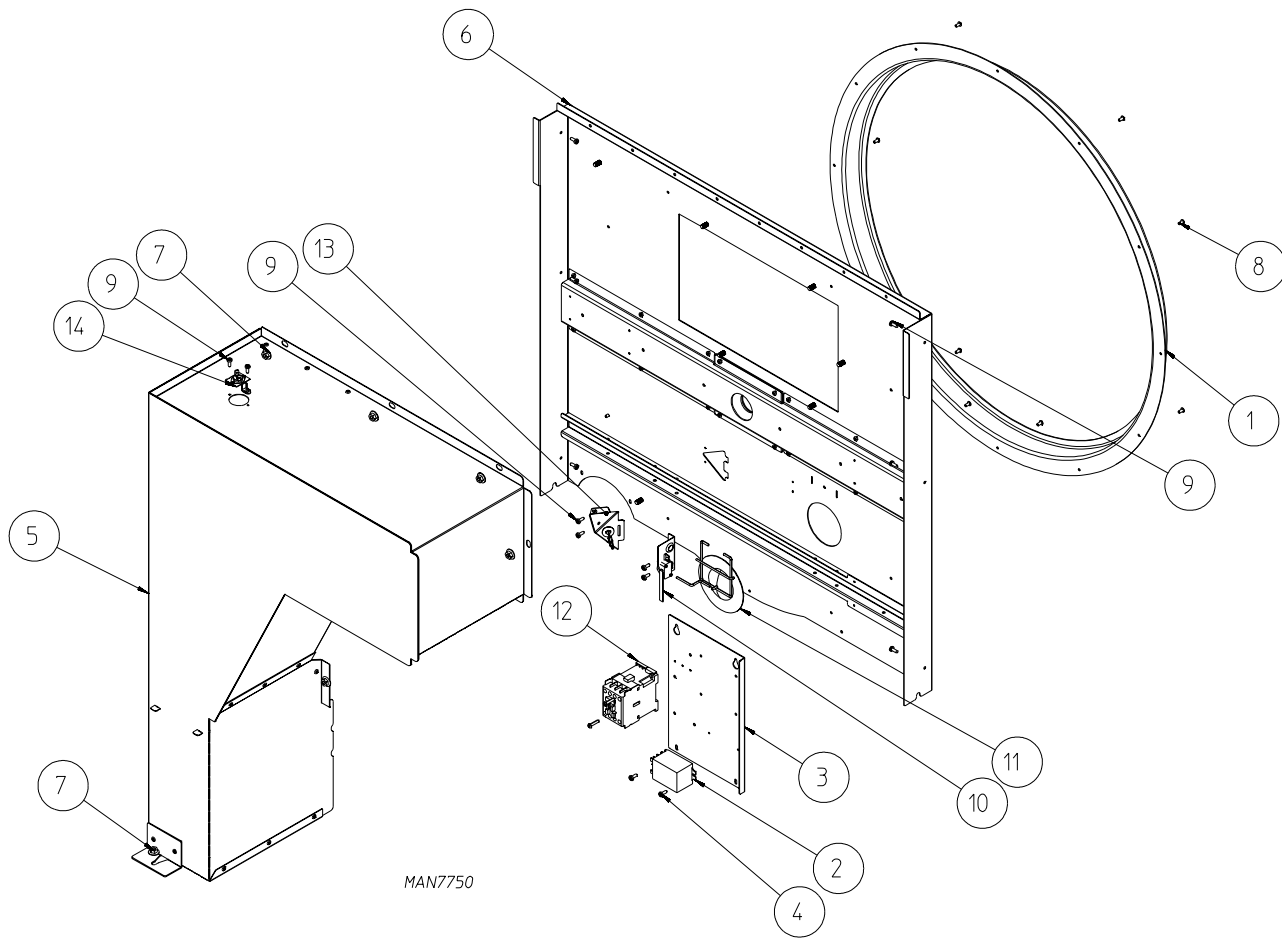


Illus. No.	Part No.	Qty.	Description
1	116010	1	Felt Motor Seal
2	153050	1	1/2" Flat Washer
3	152006	2	1/2-20 Left-Hand Jam Nut
4	846062	1	13-1/2" Riveted Impellor 1/2 Bore
5	181038	1	Blower Motor
6	154279	4	.312-18 by .75 Carriage Bolt
7	152004	4	5/16-18 Hex Nut
8	153001	4	5/16" Flat Washer
9	153002	4	5/16" Lock Washer
10	152014	6	1/4-20 Serrated Hex Flange Nut
11	815395	1	ES5050 Fan Motor Mount Weldment V5
12	100702	1	Square Key 0.125 x 1.5 Long

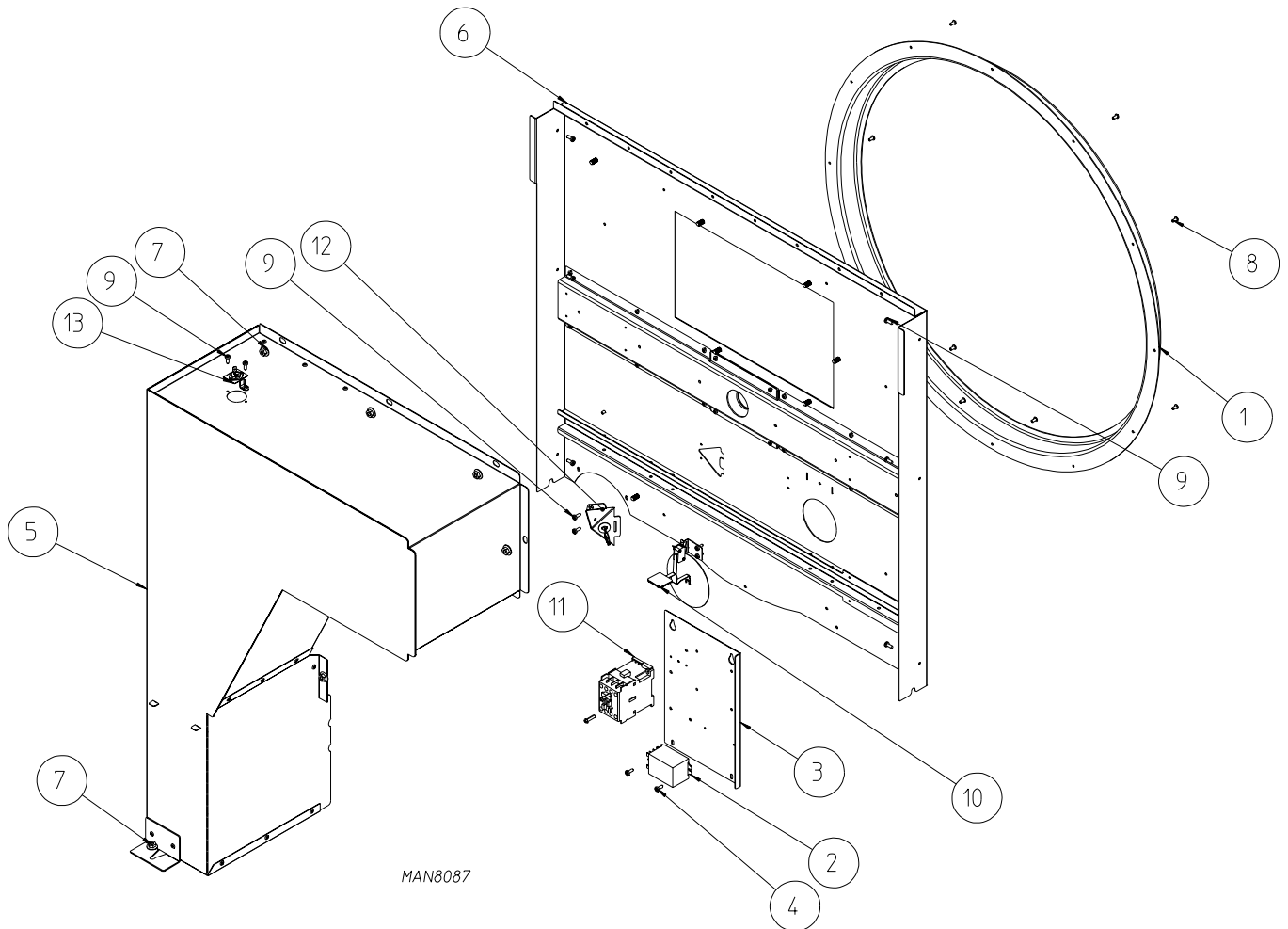


Illus. No.	Part No.	Qty.	Description
1	815289	1	Tumbler Galvanized Assembly (includes illus. nos. 1 through 21)
2	153570	2	3/16 x 3/8 Self-Clinch Pilot Pin
3	115920	1	Rear Tumbler Felt
4	115921	1	Front Tumbler Felt
5	846011	1	Tumbler Bearing Studded Plate Assembly
6	115919	1	Tumbler Bearing Felt Ring
7	315588	1	Tumbler Shaft Washer
8	100296	1	3 Bolt Flange Bearing
9	346119	1	Tumbler Shaft
10	346029	1	Tumbler Bolt Stainless Steel Washer
11	153005	1	3/8 Lock Washer
12	184241	1	3/8-16 x 3/4 Button Head Socket Cap Screw with Nylon Patch SS
13	153002	3	5/16 Lock Washer
14	152004	3	5/16-18 Hex Nut
15	185597	1	Tumbler Bearing Domed Cover
16	153012	4	#8 Internal Star Washer Zinc
17	150108	4	8-32 x 1/2 Phillips Pan Head Machine Screw
18	150636	3	1/4-20 x 1/2 Socket Button Head Cap Screw SS with Nylon Patch
19	154200	40	5/32 Pop Rivet
20	154210	16	5/32 x 3/16 Pop Rivet
21	102418	1	Tumbler Belt

ES5050 Rear Dryer Panel

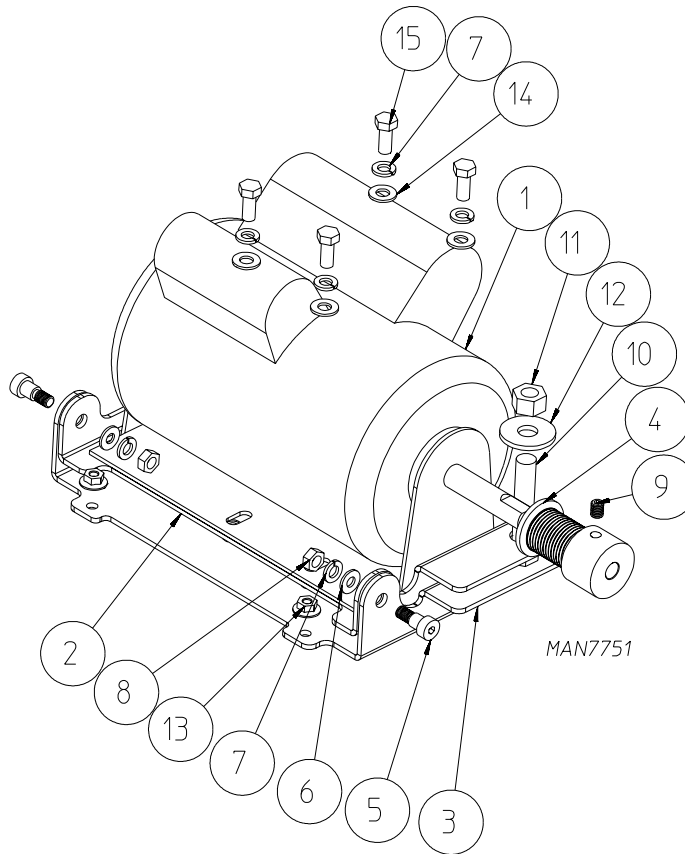


Illus. No.	Part No.	Qty.	Description
1	185673	1	Rear Bulkhead
2	131819	1	25 amp 120V Power Relay
3	815318	1	120V Relay Panel Assembly (includes illus. nos. 2, 3, 4, and 12)
4	150331	2	8-18 x 1/2" Pan Head Torx Screw
5	815287	1	Heat Duct Weldment
6	815288	1	Rear Support Panel
7	152014	8	1/4-20 Serrated Hex Flange Nut
8	154211	35	5/32 Pop Rivet
9	150331	12	8-18 x 1/2 Pan Head Torx Screw
10	802807	1	Sail Switch Bracket Assembly
11	802817	1	Rod and Dome Damper Assembly
12	132414	1	DPDT 120V Contactor
13	815207	1	Axial Probe Assembly
14	183112	1	205° Gas Hi-Limit Thermostat

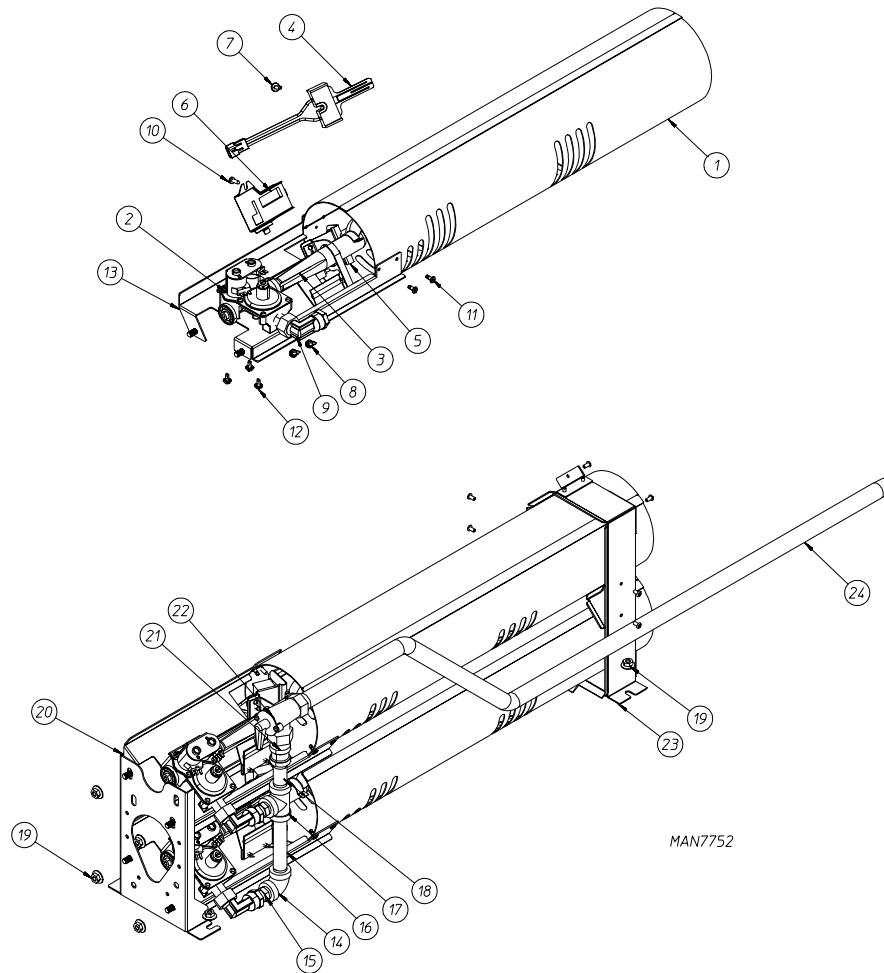


Illus. No.	Part No.	Qty.	Description
1	185673	1	Rear Bulkhead
2	131819	1	25 amp 120V Power Relay
3	815318	1	120V Relay Panel Assembly (includes illus. nos. 2, 3, 4, and 12)
4	150331	2	8-18 x 1/2" Pan Head Torx Screw
5	815287	1	Heat Duct
6	815380	1	Rear Support Panel
7	152014	8	1/4-20 Serrated Hex Flange Nut
8	154211	35	5/32 Pop Rivet
9	150331	12	8-18 x 1/2 Pan Head Torx Screw
10	828238	1	Sail Switch Assembly Linkagless
11	132414	1	DPDT 120V Contactor
12	815258	1	Axial Probe Assembly
13	183112	1	205° Gas Hi-Limit Thermostat

Motor Assembly

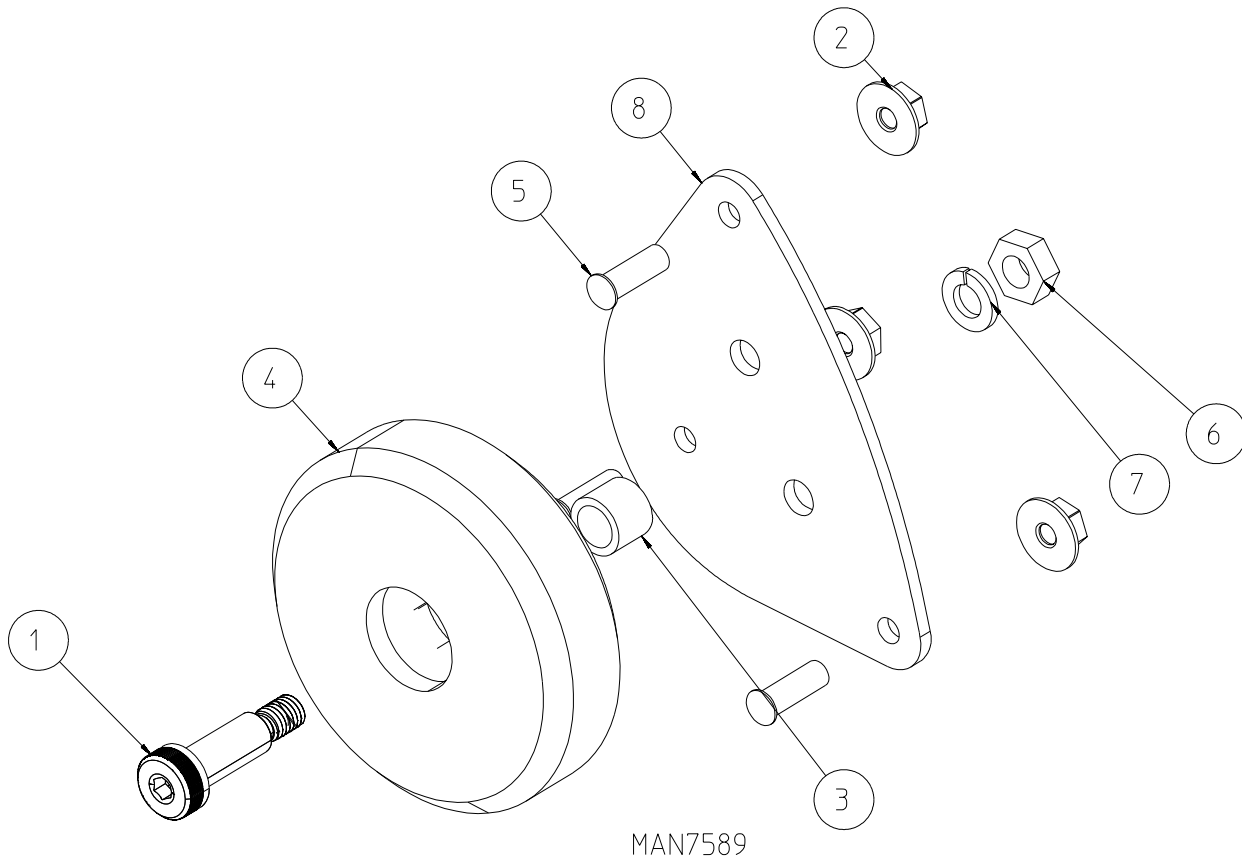


Illus. No.	Part No.	Qty.	Description
1	884393	1	Motor Assembly (includes illus. nos. 1, 4, and 9)
	815350	1	Motor Mount Complete (includes illus. nos. 1 through 15)
2	846016	1	Motor Mount Assembly
3	346037	1	Motor Mount Base
4	315696	1	60 Hz Motor Sheave
5	154266	2	3/8" x 3/8" (Shoulder Screw)
6	153018	2	1/4" Flat Washer
7	153002	2	5/16" Lock Washer
8	152004	2	5/16-18 Hex Nut
9	154321	1	5/16-24 x 3/8" Allen Setscrew
10	150641	1	1/2-13 x 3" Tap Bolt
11	152011	2	1/2-13 Hex Nut
12	153033	1	1/2" x 1-3/8" Flat Washer
13	152014	4	1/4-20 Hex Nut
14	153011	1	5/16" Std Flat Washer
15	150501	4	5/16-18 x 3/4" Bolt



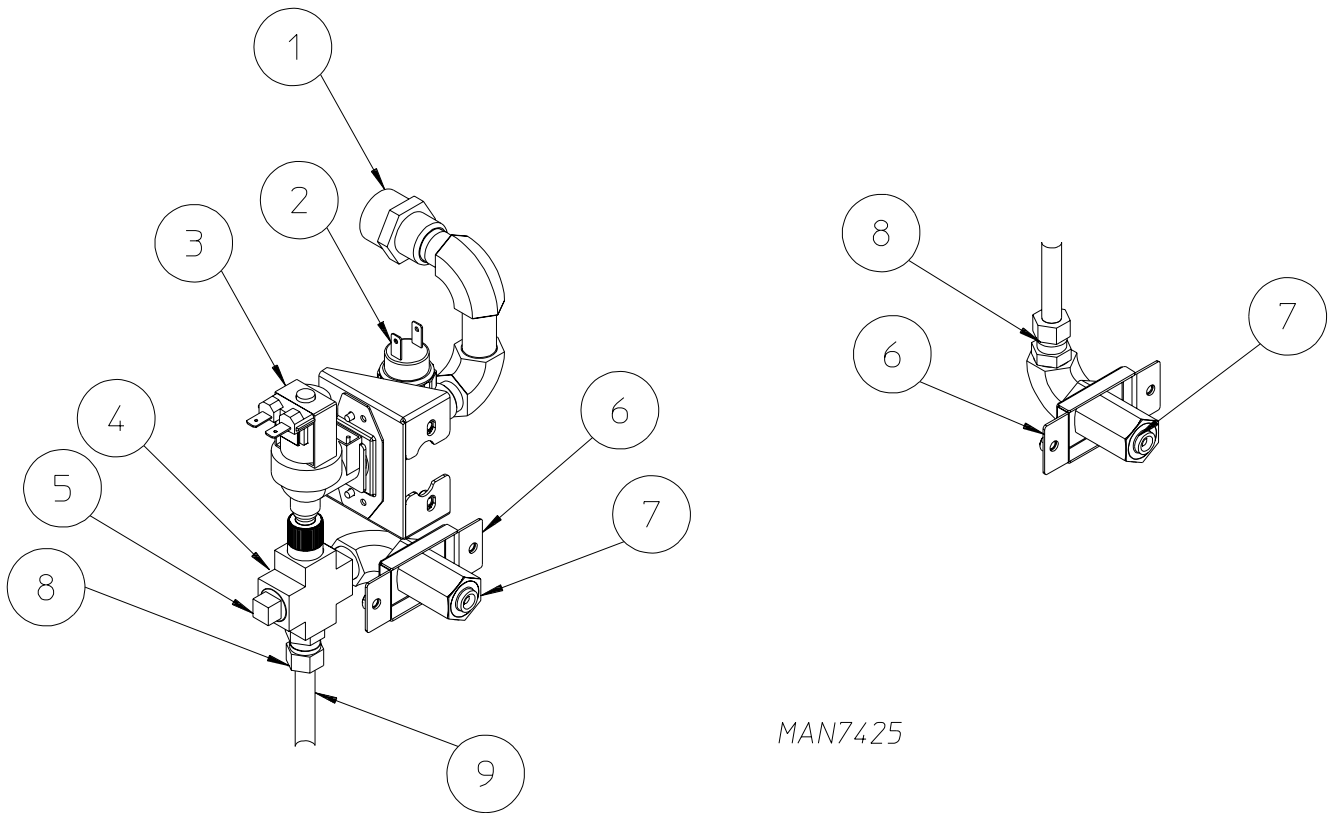
Illus. No.	Part No.	Qty.	Description
1	315548	1	Burner Tube
2	128944	1	Gas Valve 120 VAC 60 Hz
3	183144	1	Inshot H.S.I. Tube
4	128910	1	Glow Bar
5	185063	1	H.S.I. Bracket
6	130500	1	Flame Sensor
7	183145	1	Screw with Copper Washer
8	152208	3	10-32 x 1/2 Hex Head Sheet Metal Screw
9	141319	1	3/8 Brass Elbow
10	150331	1	8-18 x 1/2 Pan Head Torx Screw
11	154205	6	5/32 x 1/4 Stainless Steel Rivet
12	152209	3	Hex Head Tapping Screw
13	815308	1	Gas Valve Bracket
14	143359	1	3/8 NPT 90° Black Iron Elbow
15	182579	2	3/8 MPT x 3/8 MPT Brass Hex Nipple
16	142764	1	3/8 x 4" Black Iron Pipe Nipple
17	143358	1	3/8 NPT Black Iron Tee
18	142631	1	3/8 x 2" Black Iron Pipe Nipple
19	152014	8	1/4-20 Serrated Hex Flange Nut
20	315604	1	Front Gas Burner Mounting Bracket
21	143003	1	3/8 x 3/8 Coupling
22	141320	1	Union Shutoff
23	884390	1	Gas Oven Acceptor Assembly
24	185676	1	Gas Pipe

Wheel Bracket Assembly



MAN7589

Illus. No.	Part No.	Qty.	Description
1	154264	1	10 M8 x 25mm Shoulder Bolt
2	152014	3	1/4-20 Free Spin Wash Nut
3	154284	1	Tumbler Wheel Spacer
4	180060	1	3-1/2" Tumbler Support Wheel
5	153557	3	1/4-20 x 3/4" Self-Clinching Stud
6	154013	1	M8 Hex Nut
7	153002	1	5/16" Lock Washer
8	315536	1	1/2" Wheel Bracket
9	815280	1	Front Wheel Bracket Assembly (includes illus. nos. 1 through 9)



MAN7425

Illus. No.	Part No.	Qty.	Description
1	143025	1	Nylon Hose Adaptor
2	136987	1	Pressure Switch
3	165120	1	Water Valve
4	143236	1	3/8" Brass Cross
5	143251	1	3/8" Plug
6	318422	1	Sensor Activated Fire Extinguishing System Bracket
7	143581	1	Spray Nozzle
8	143208	1	3/8" Brass Connector
9	143099	1	3/8" OD Copper Tubing

